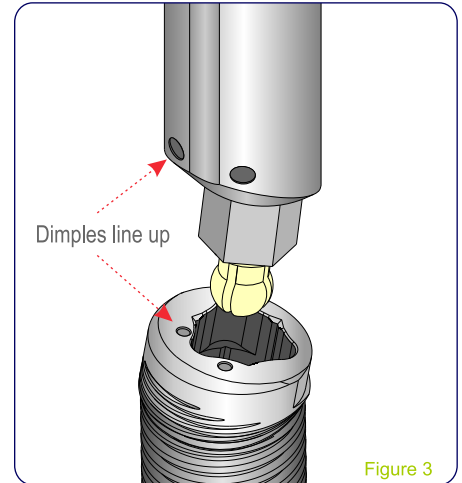
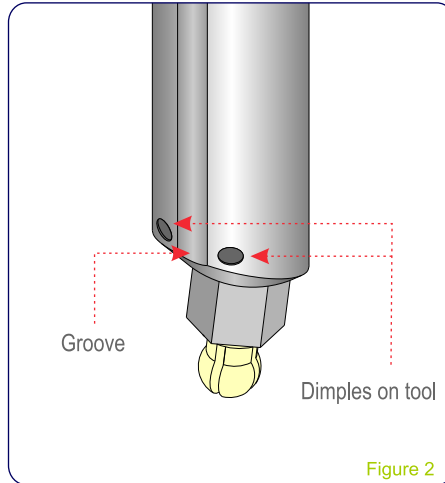
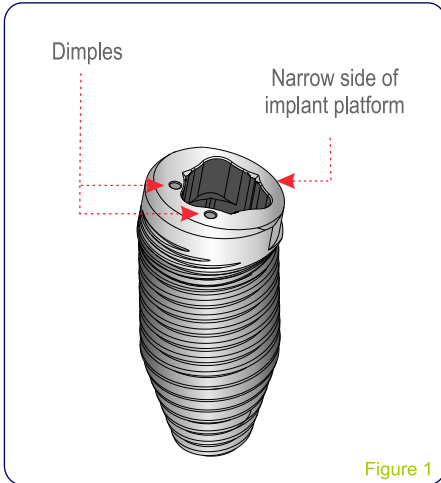


Insertion tool insertion procedure

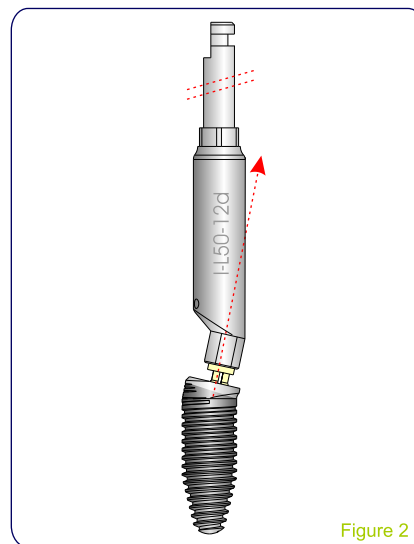
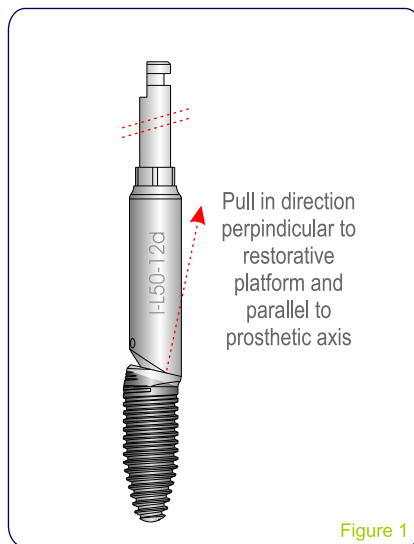


Identify the two dimples on the implant platform. This side lines up with one of the lobes and the micro-grooves as shown above (Fig.1).

Identify the dimples on the tool (Fig.2).

Line up the dimples on the placement tool with the dimples on the implant (Fig.3).
Push the tool into the implant until the placement tool fits flush with the implant .

Insertion tool removal procedure



To remove the placement tool from the implant, pull the placement tool in the direction as shown in the figure above (Fig.1).

The placement tool will be removed in the direction of the pulling force (Fig.2).